

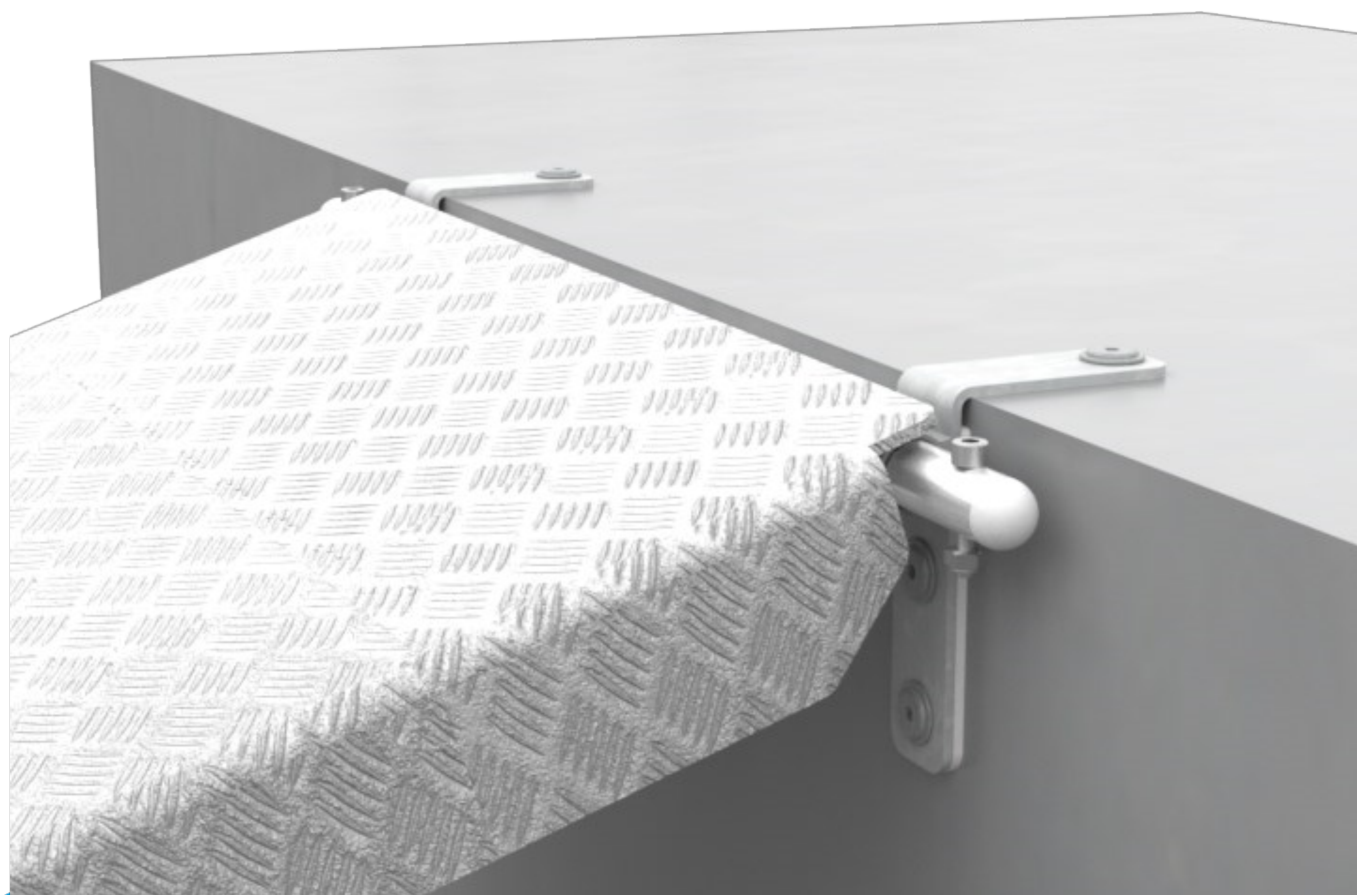
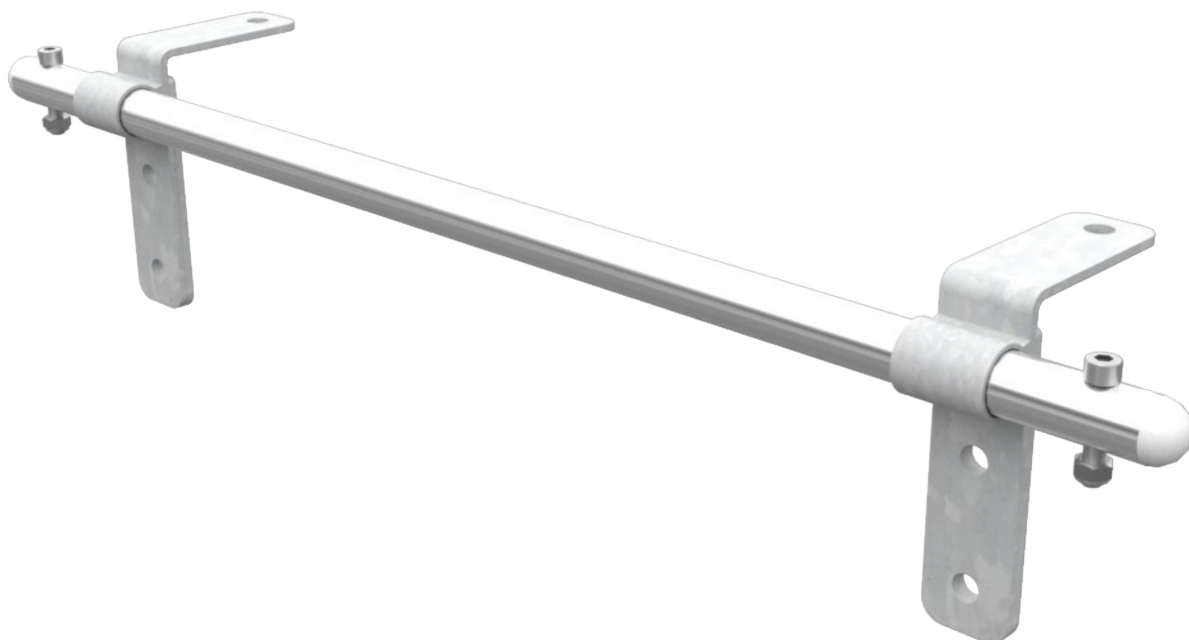
EasyFloat®

PONTOON SYSTEMS

Art: 1100-0093

SV: Fäste för landgång Landsida, Solid

EN: Fastener Landing Board Shore, Solid



MADE IN SWEDEN

floattech  
EASY AND INTELLIGENT TECHNICAL SOLUTIONS



x1



x2



M10x60

x6



10x50

x6



17



13



T40

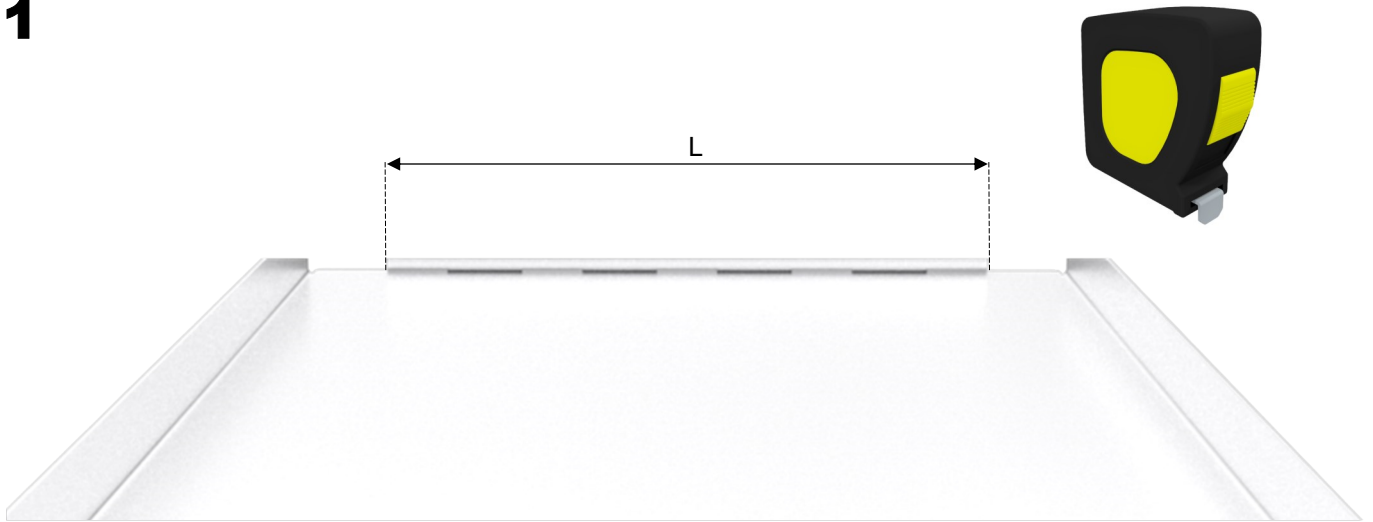


Ø 7 mm



Ø 10 mm

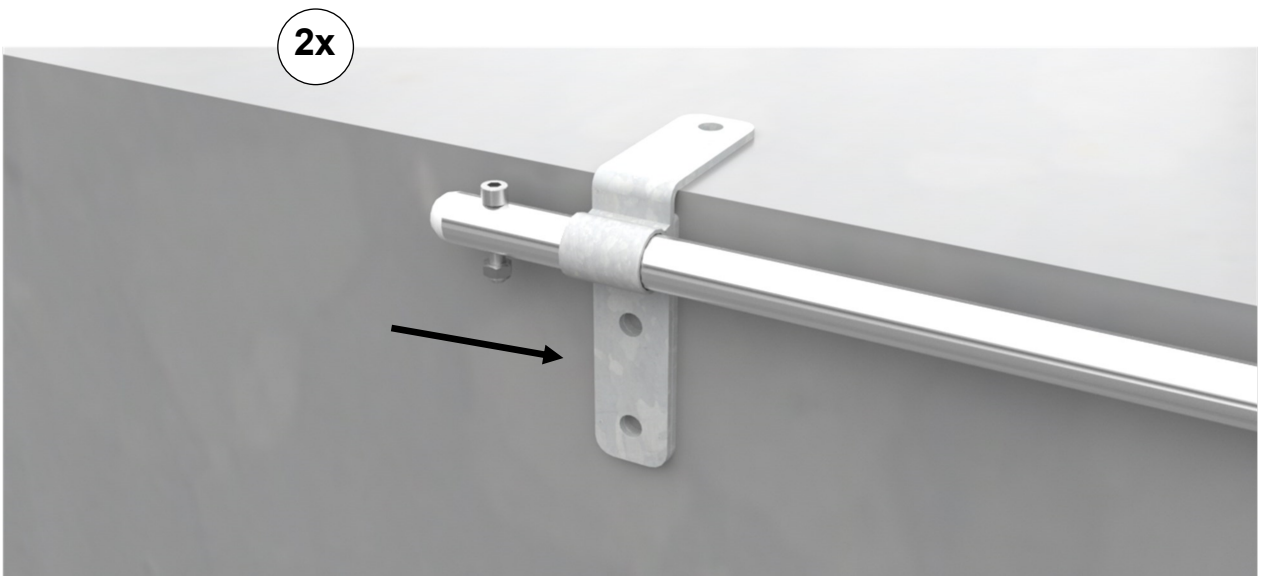
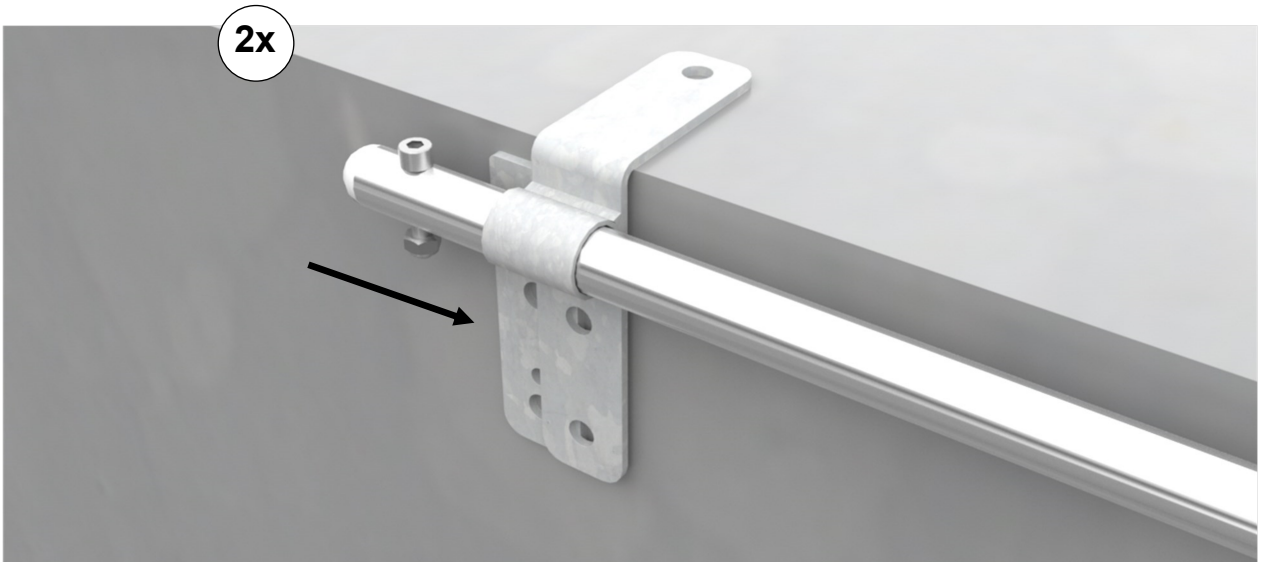
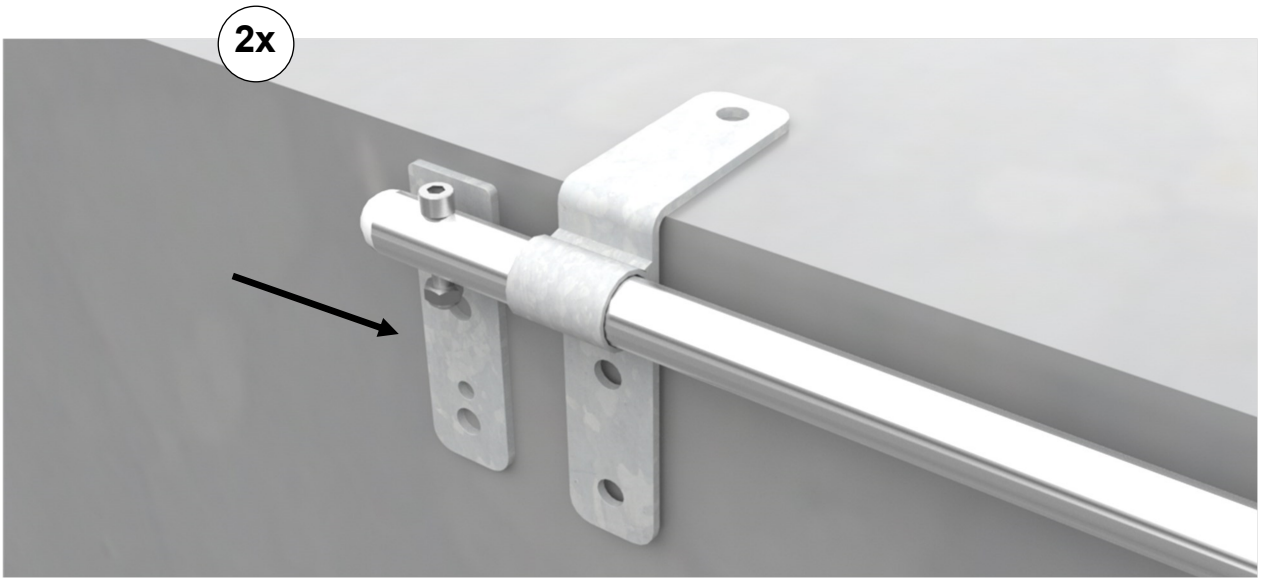
**1**



**2**



**3**





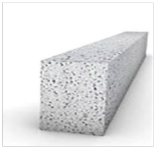
**4**



Ø 7 mm



10x50

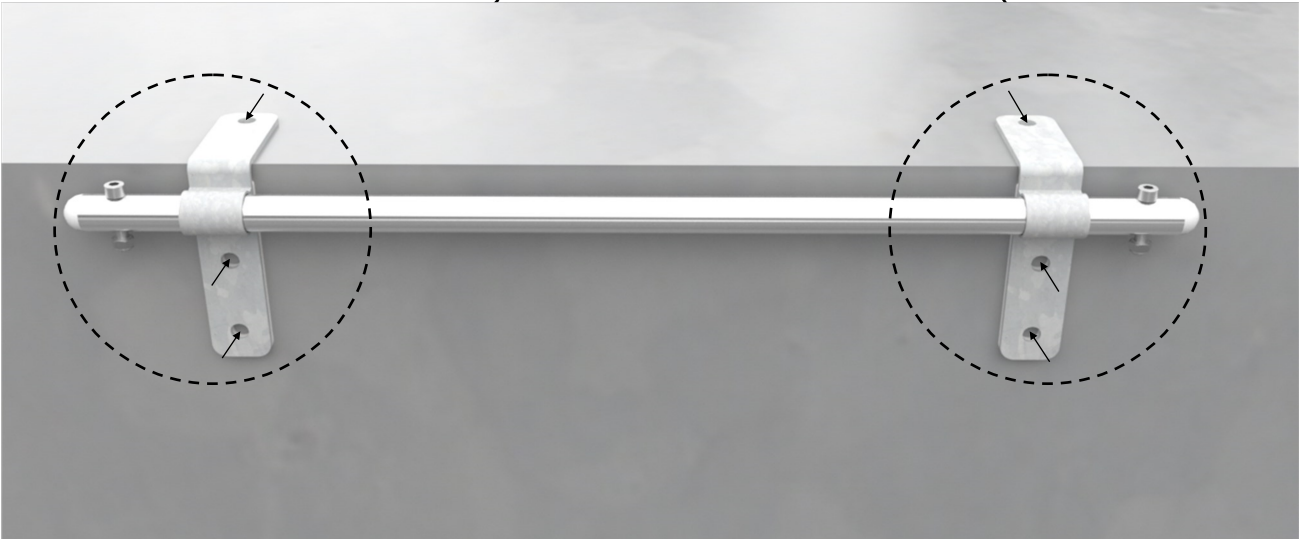
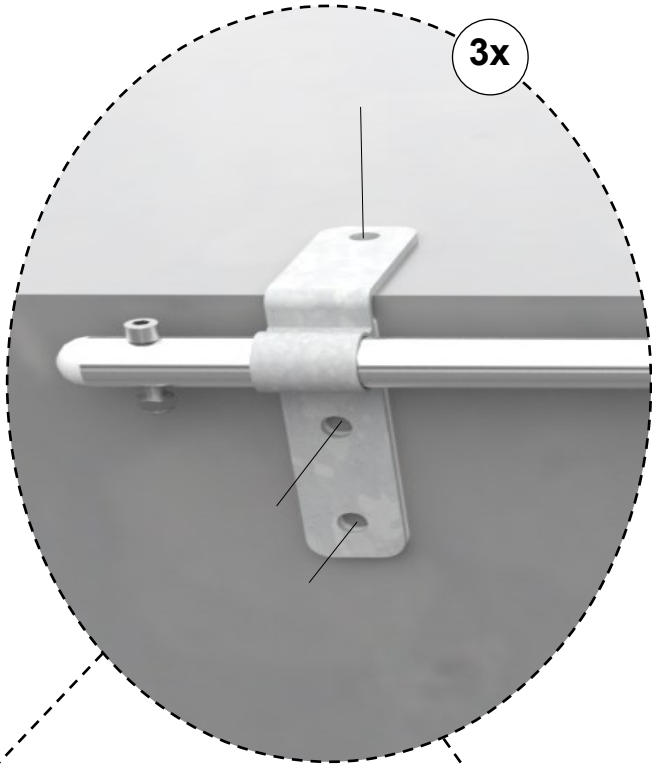


Ø 10 mm

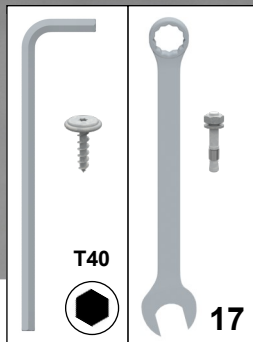


M10x60

3x



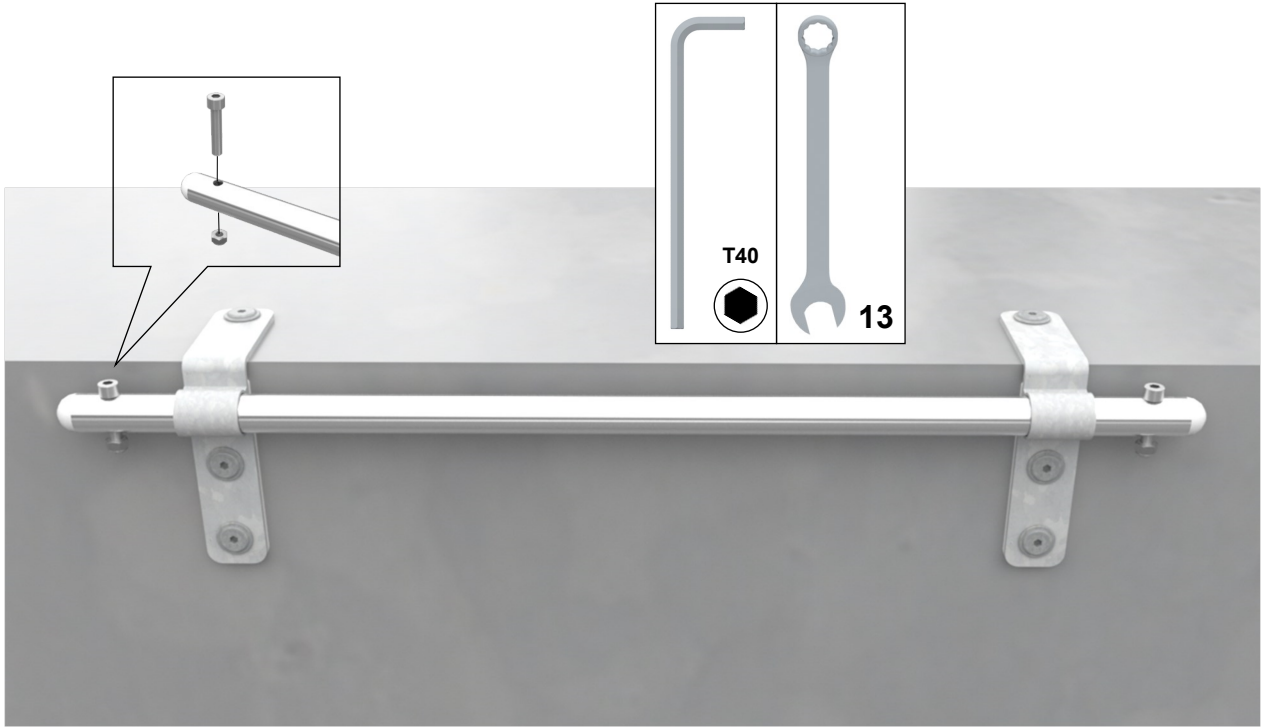
**5**



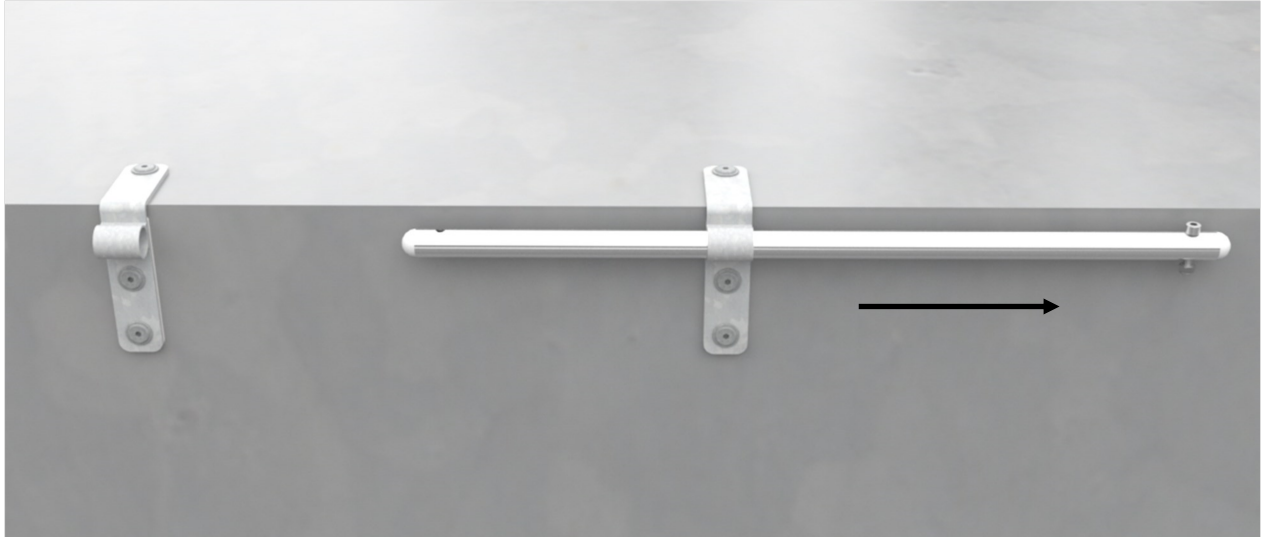
T40

17

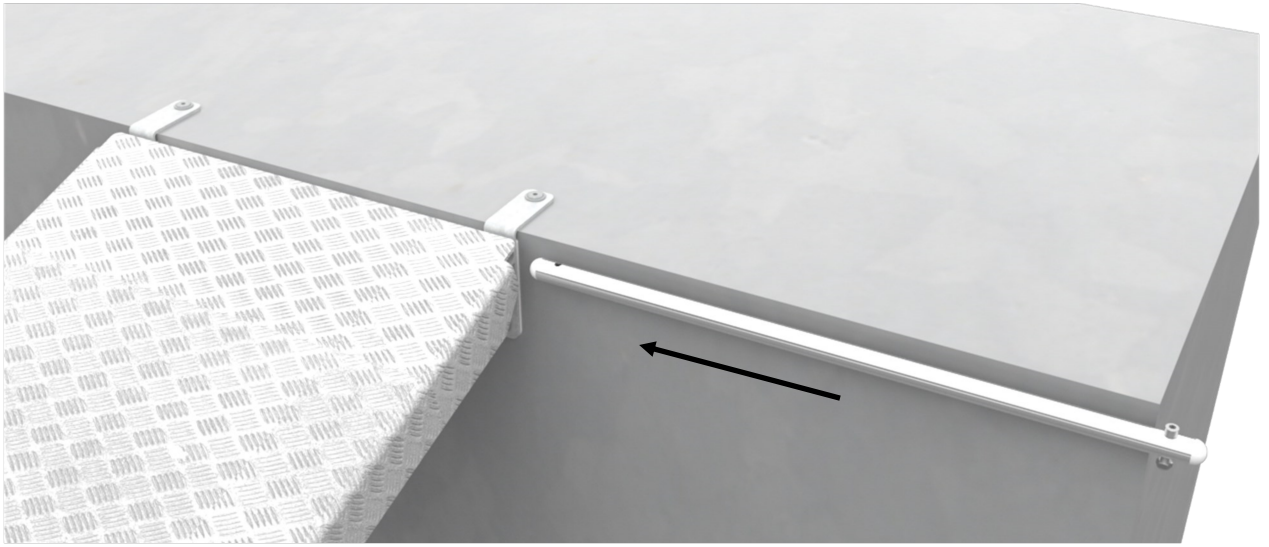
**5**



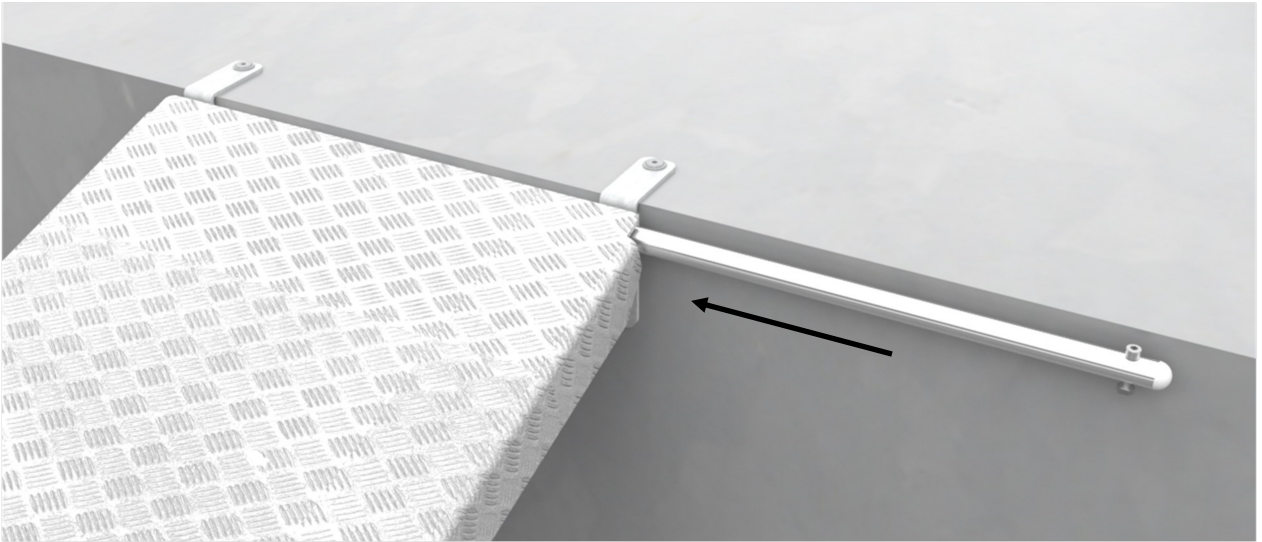
**6**



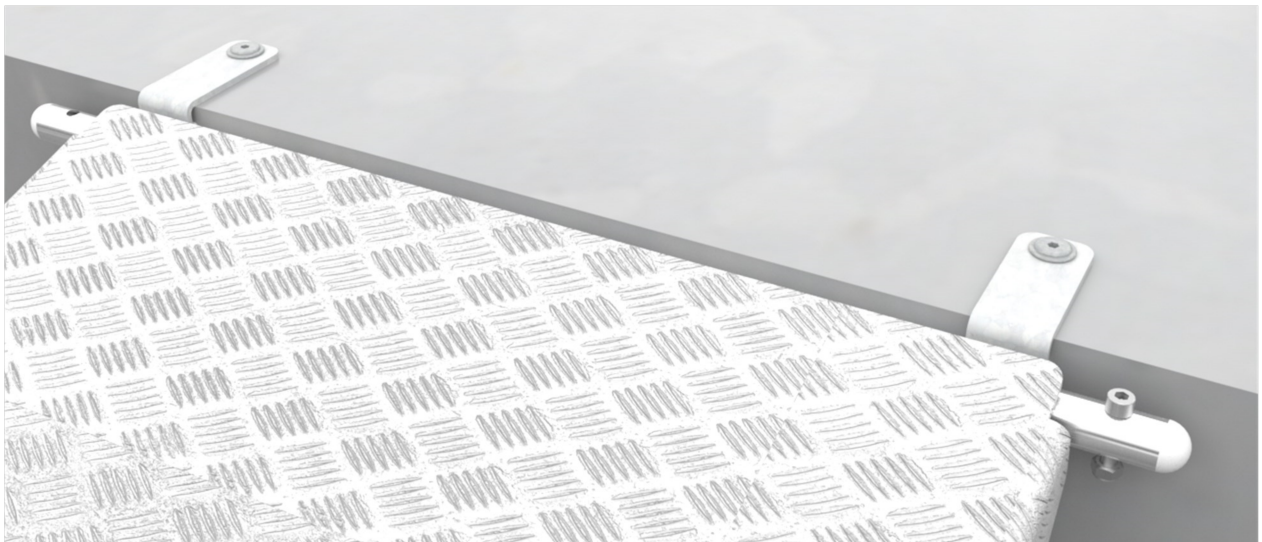
7



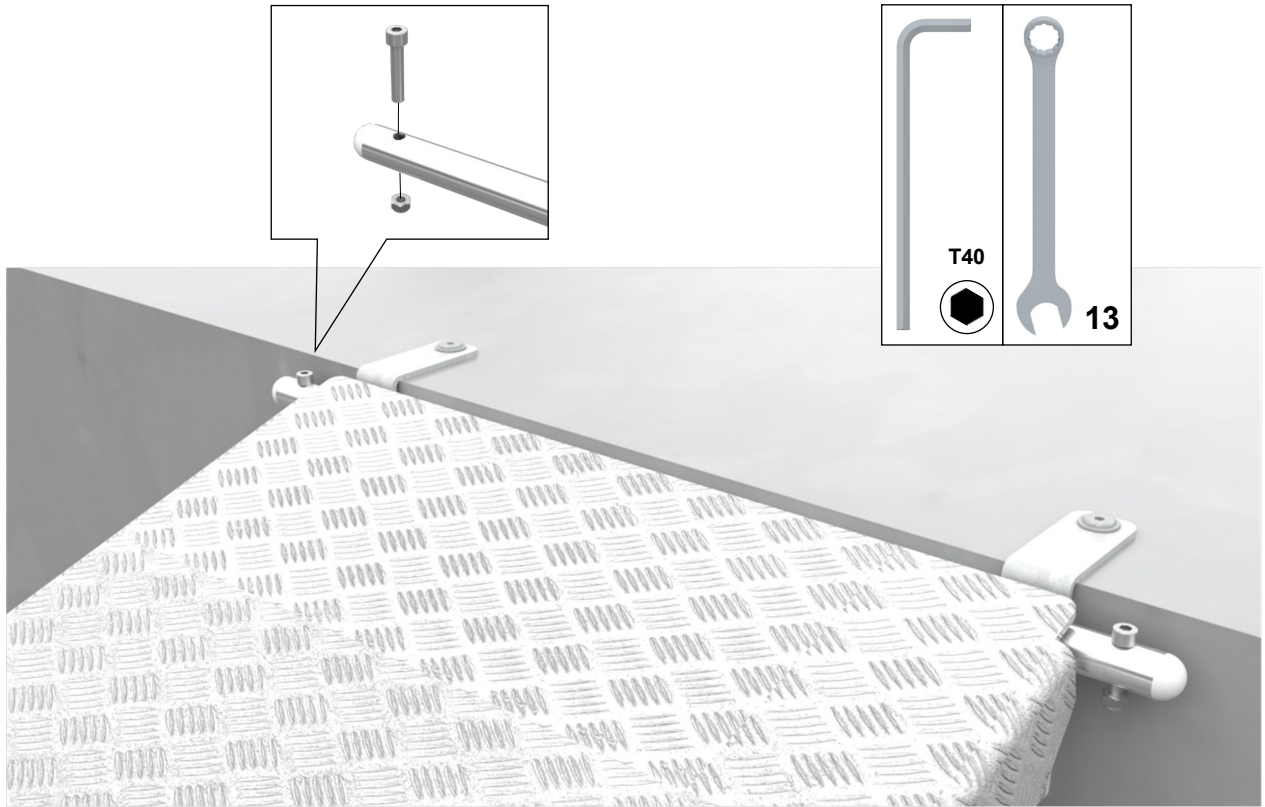
8



9



**9**



**10**

