

x1



x2



13

x2

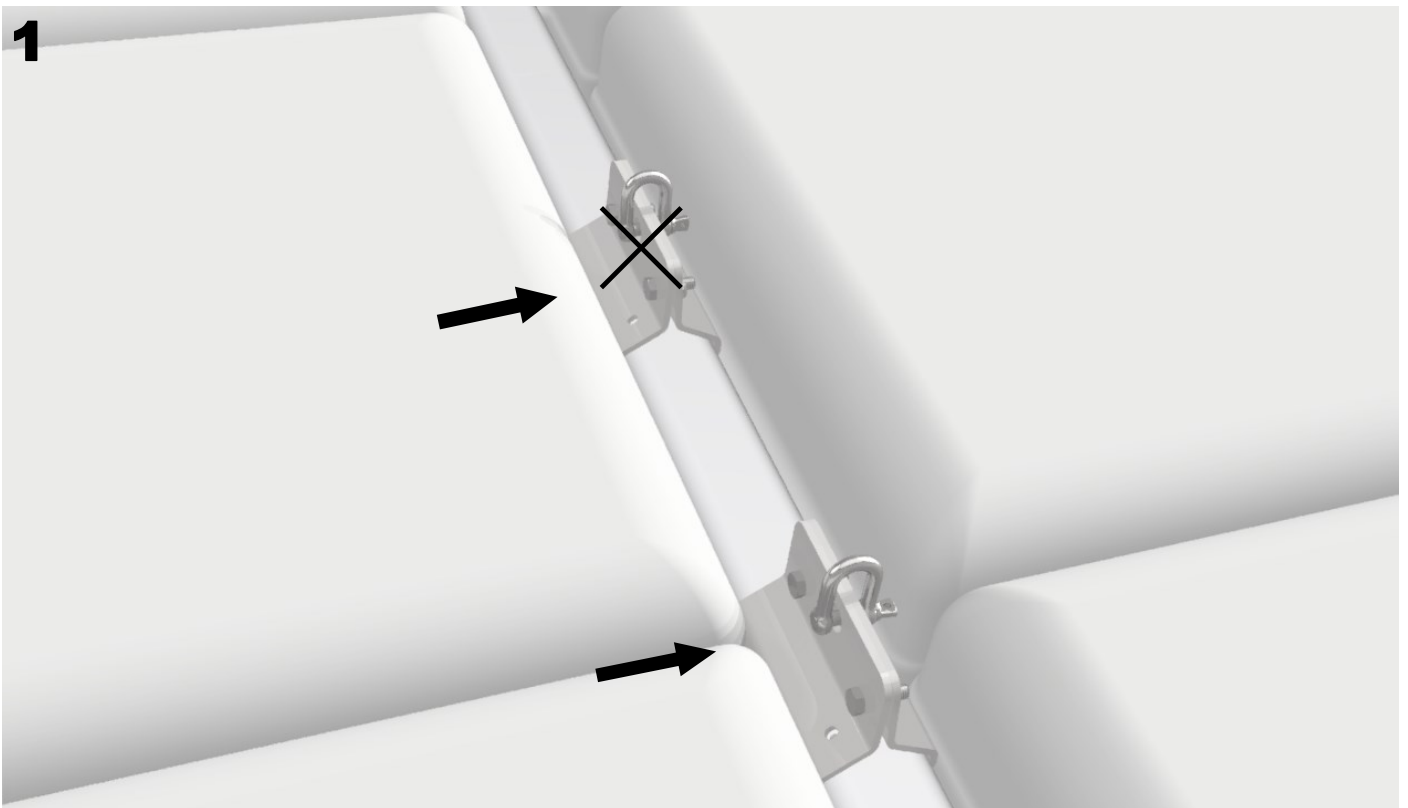


8

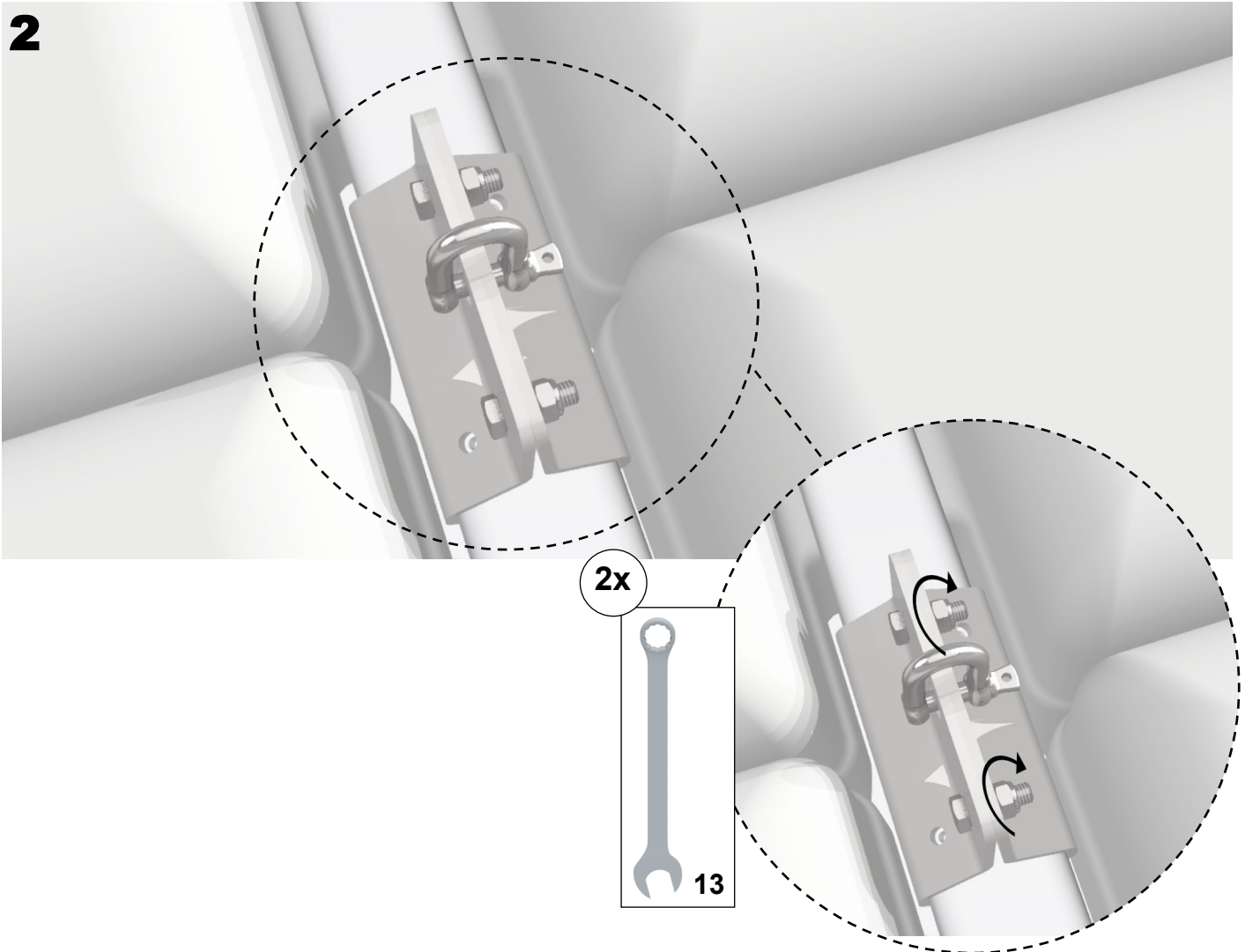


Ø 5,0 mm

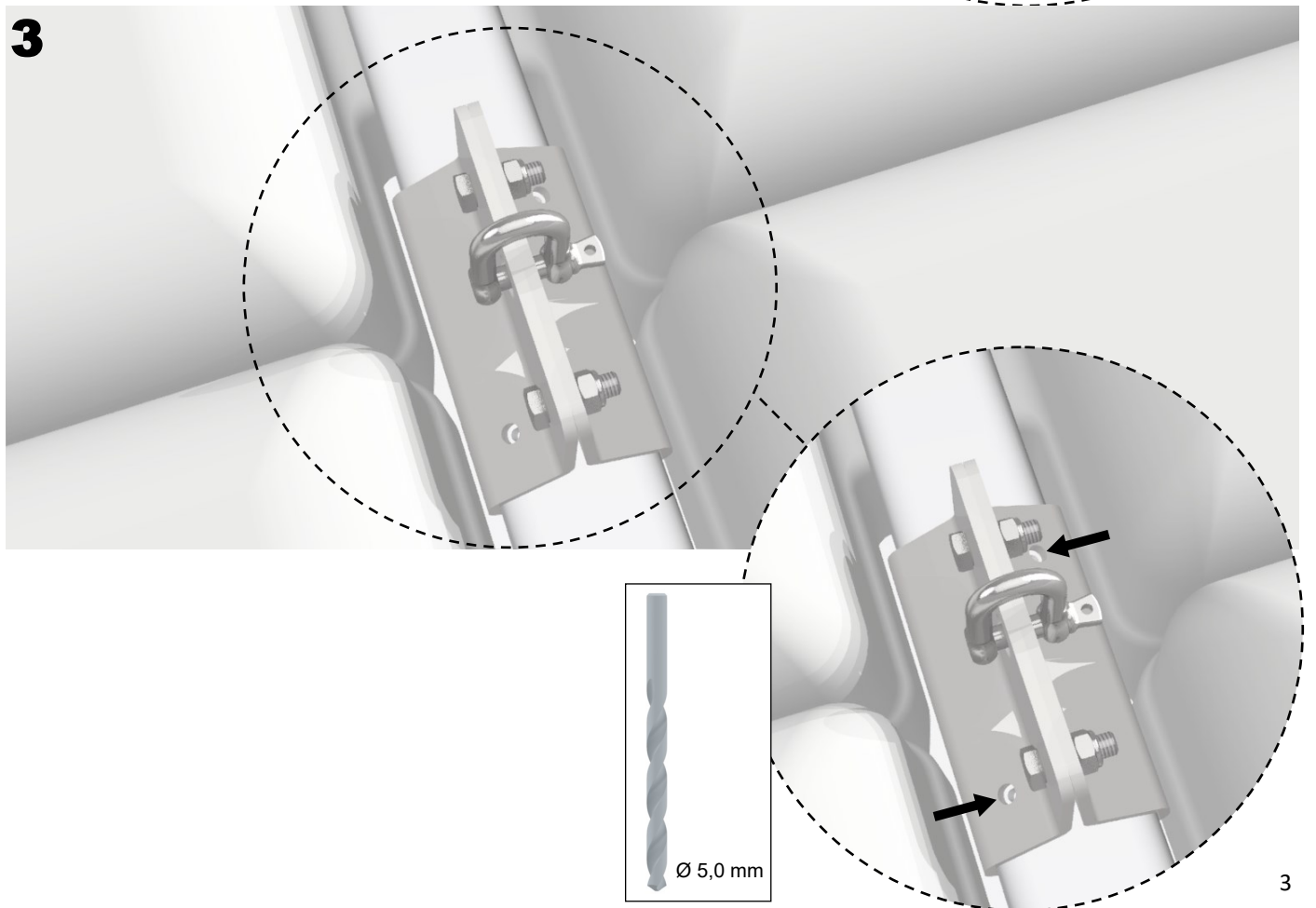
1



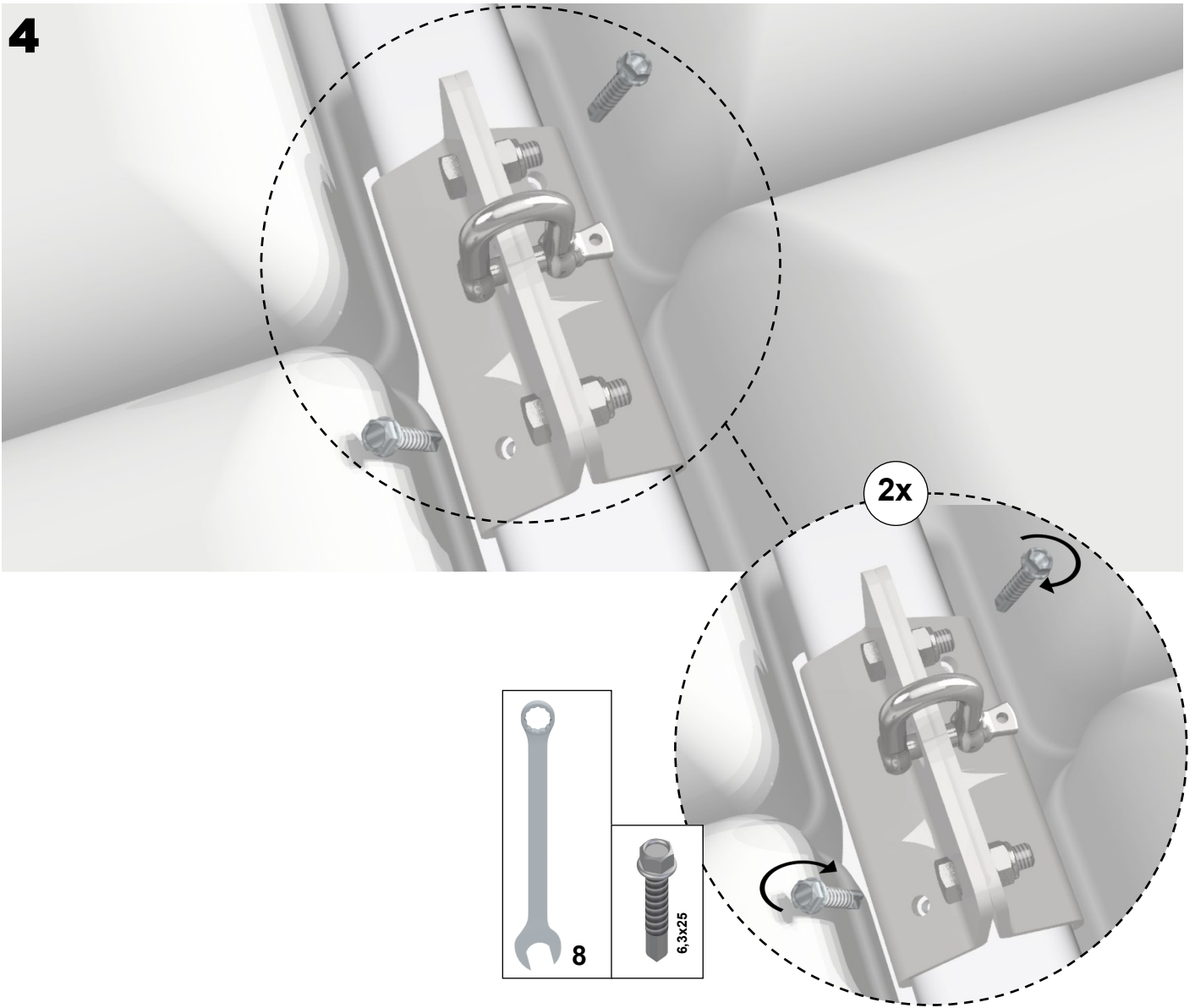
2



3



4



5

