

# EasyFloat®

PONTOON SYSTEMS

**Art: 1100-0041**

**SV: Landgång B 0,6 x L 1,5 m**

**EN: Landing Board W 0,6 x L 1,5 m**

**Art: 1100-0042**

**SV: Landgång B 0,6 x L 3,0 m**

**EN: Landing Board W 0,6 x L 3,0 m**

**Art: 1100-0075**

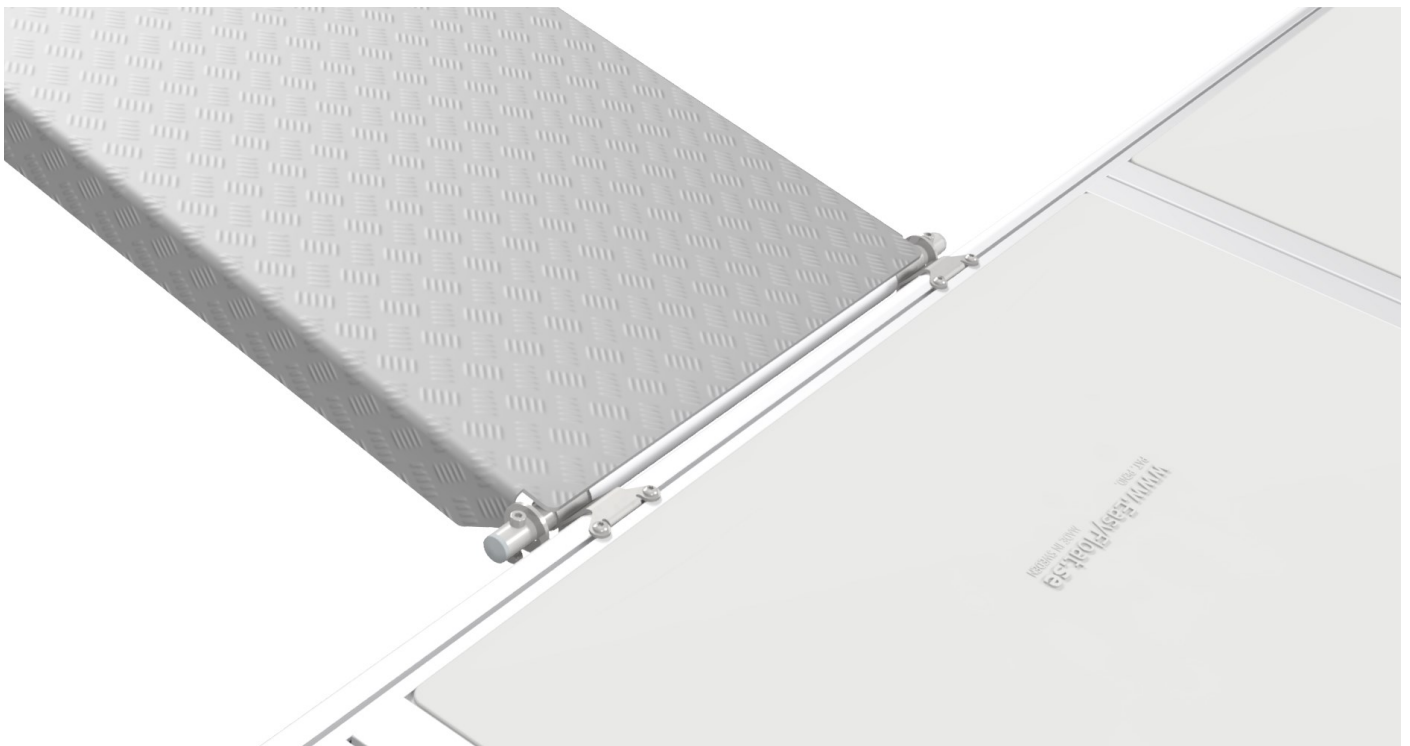
**SV: Landgång B 0,6 x L 4,0 m**

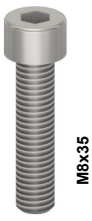
**EN: Landing Board W 0,6 x L 4,0 m**

**Art: 1100-0043**

**SV: Landgång B 1,0 x L 2,5 m**

**EN: Landing Board W 1,0 x L 2,5 m**





MBx35

x2



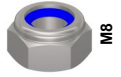
6,3x25

x4



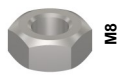
MBx16

x2



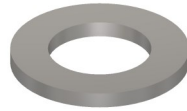
M8

x2



M8

x2



45x26x4

x2



x1



13



T40



H6



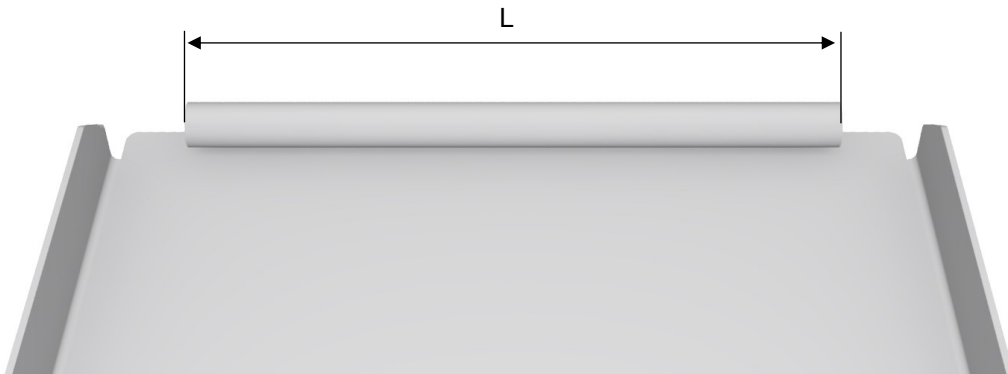
T30



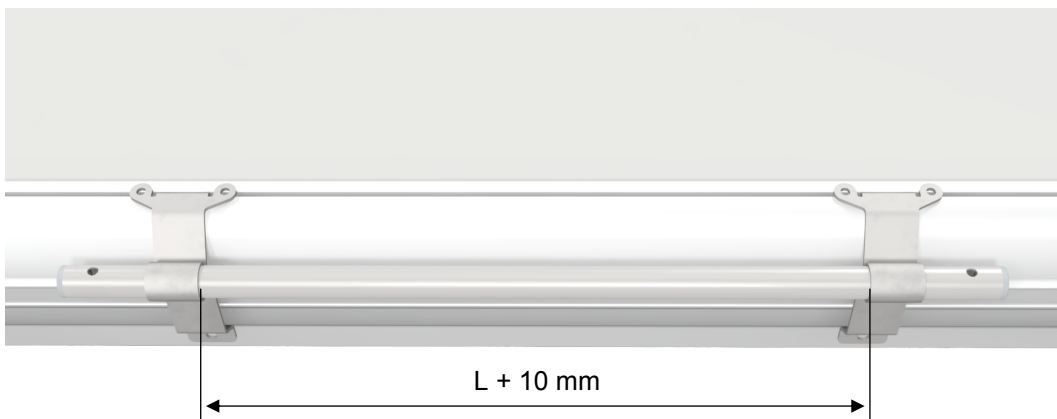
Ø 8,5 mm



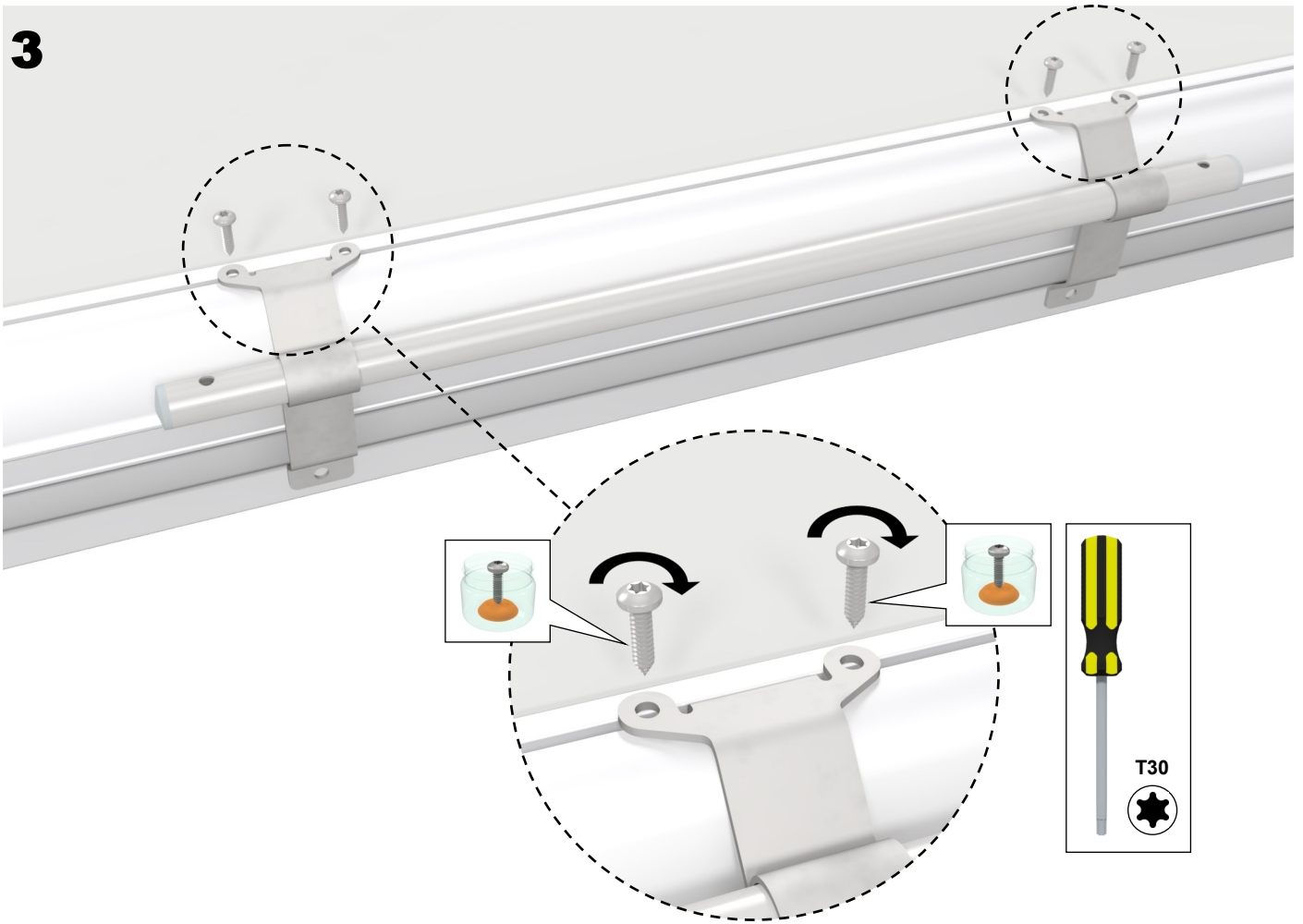
**1**



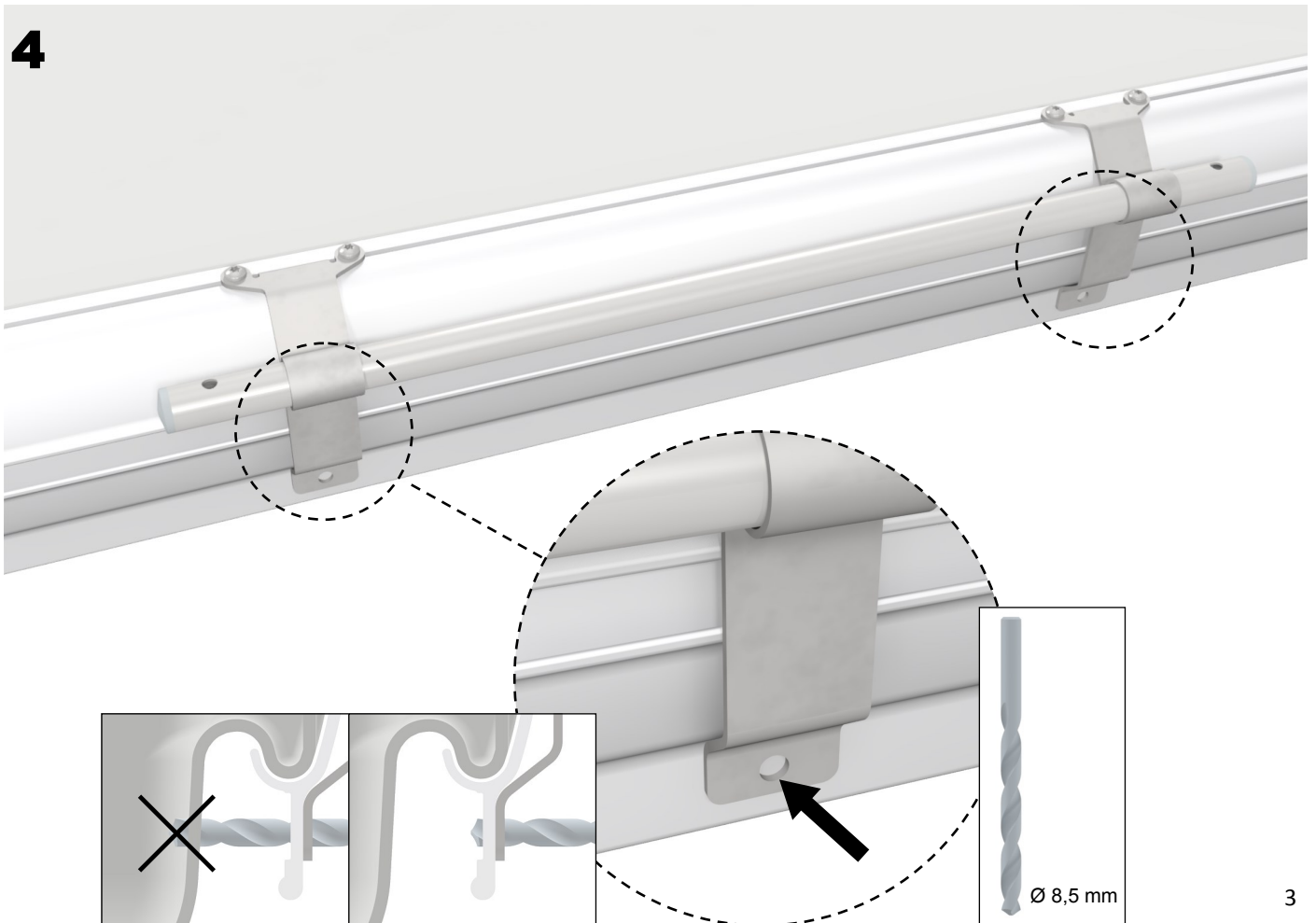
**2**



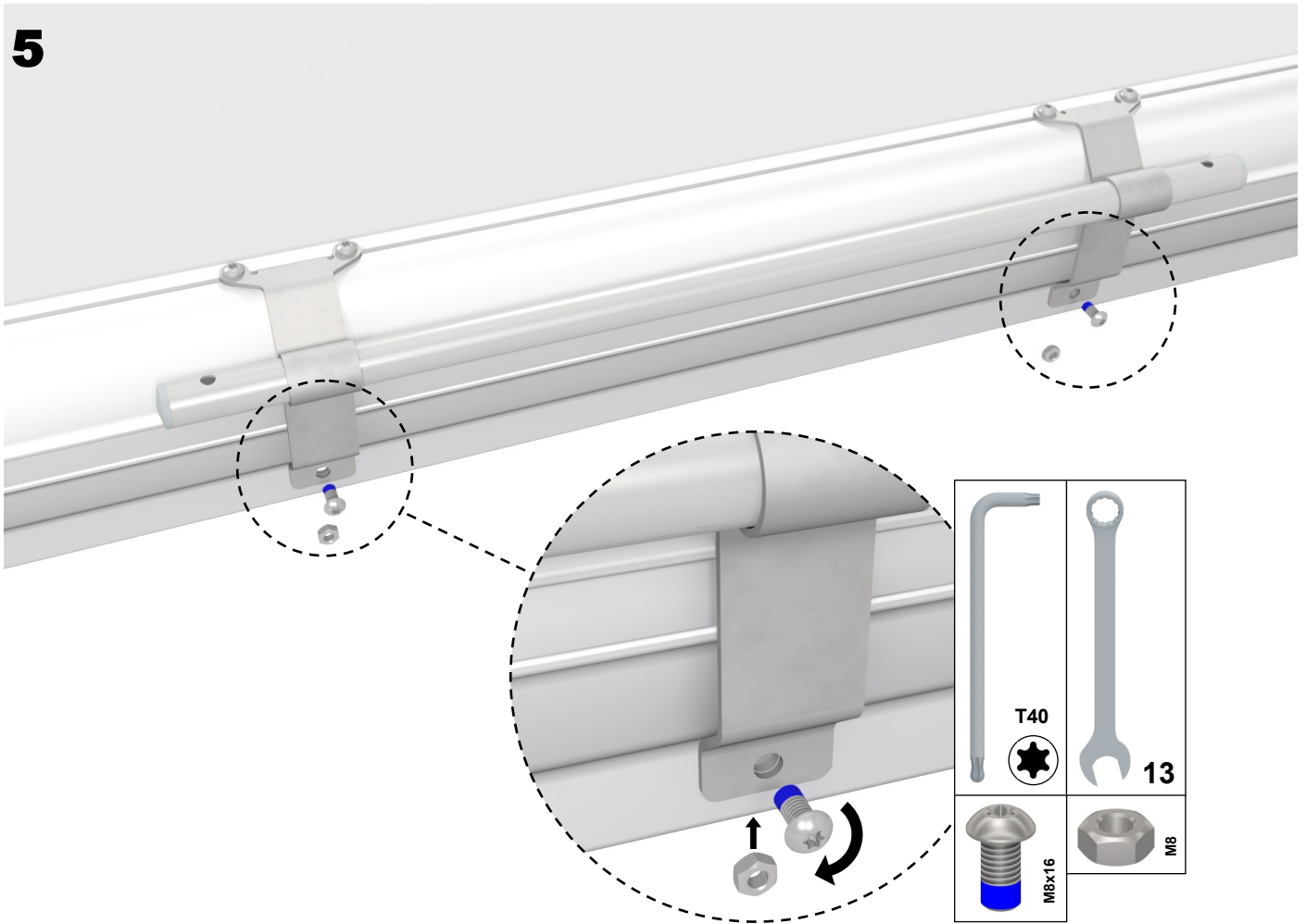
**3**



**4**



5



6

