

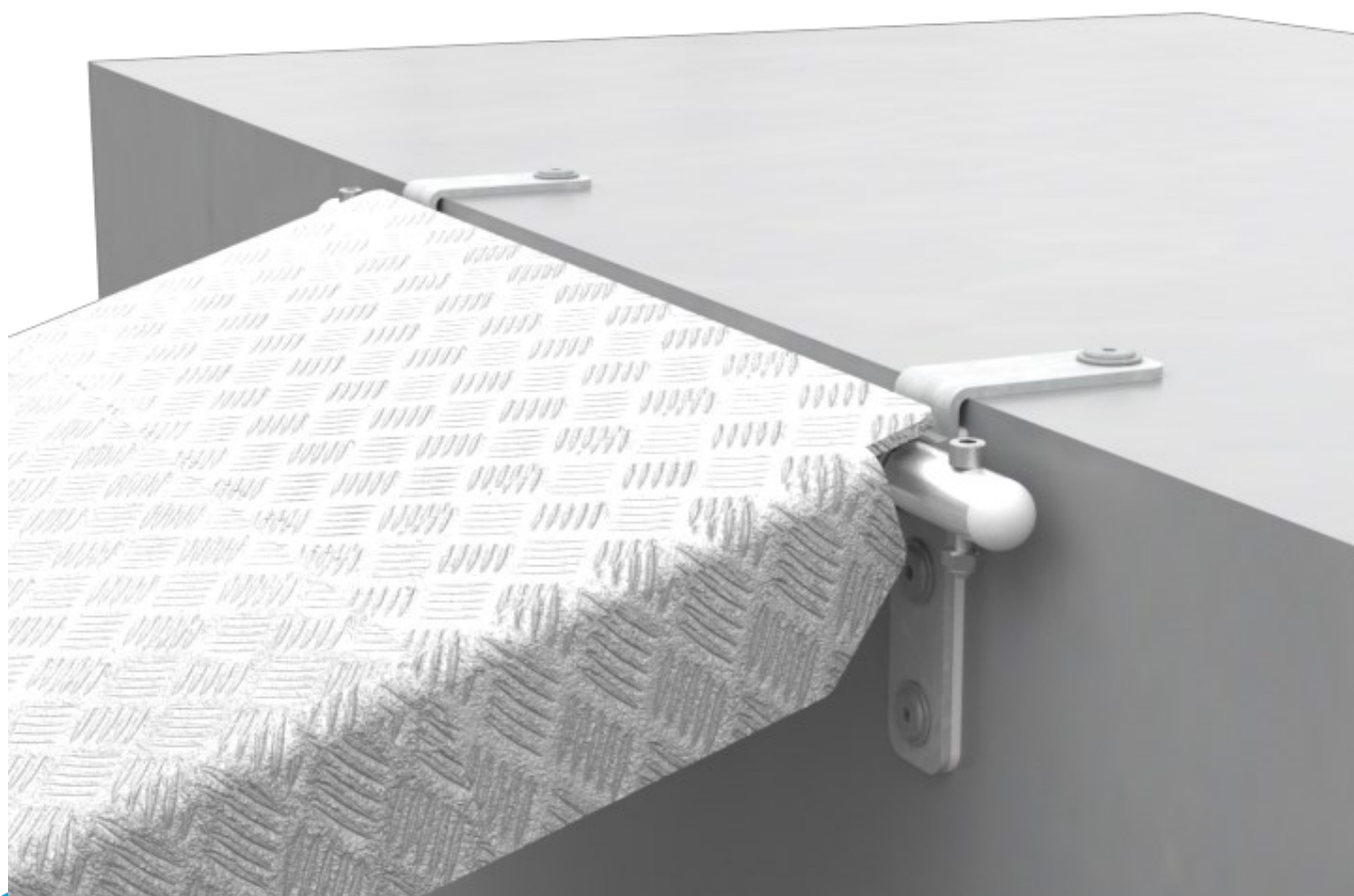
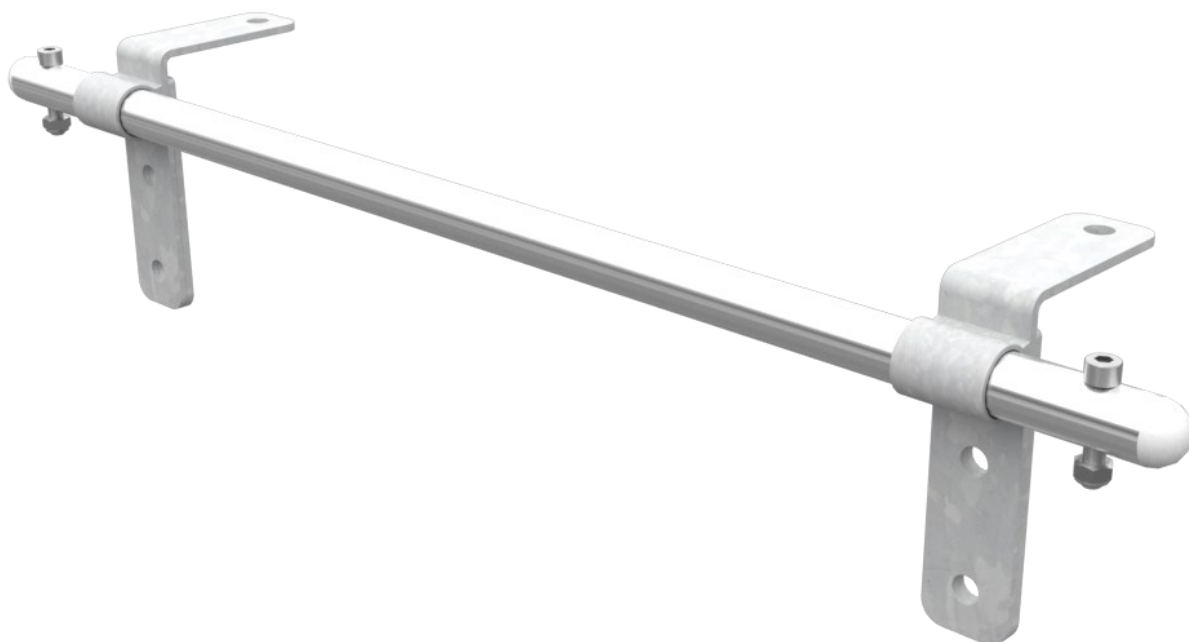
EasyFloat®

PONTOON SYSTEMS

Art: 1100-0071

SV: Fäste för landgång Landsida, Solid

EN: Fastener Landing Board Shore, Solid



MADE IN
SWEDEN

floattech
EASY AND INTELLIGENT TECHNICAL SOLUTIONS



x1



x2



M10x60

x6



10x60

x6



17



13



T40

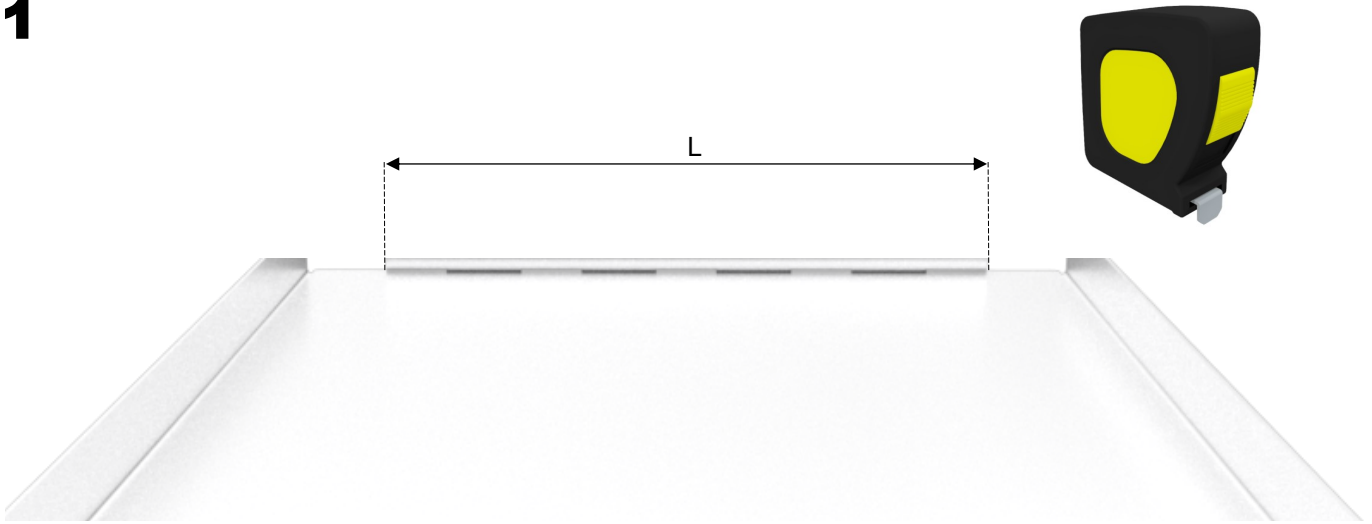


Ø 7 mm



Ø 10 mm

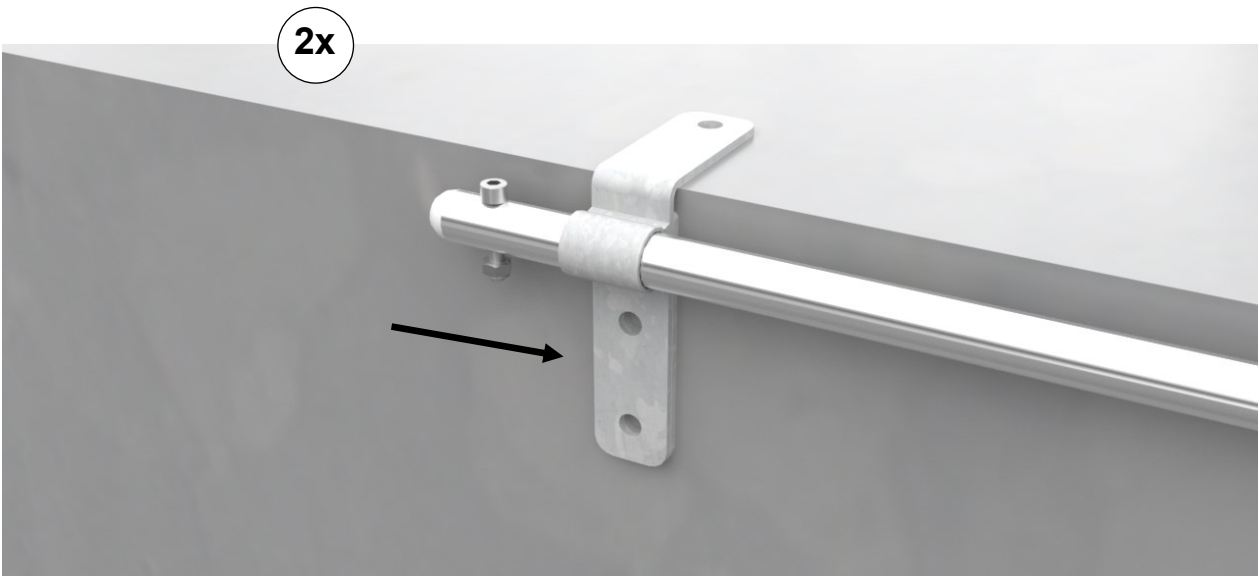
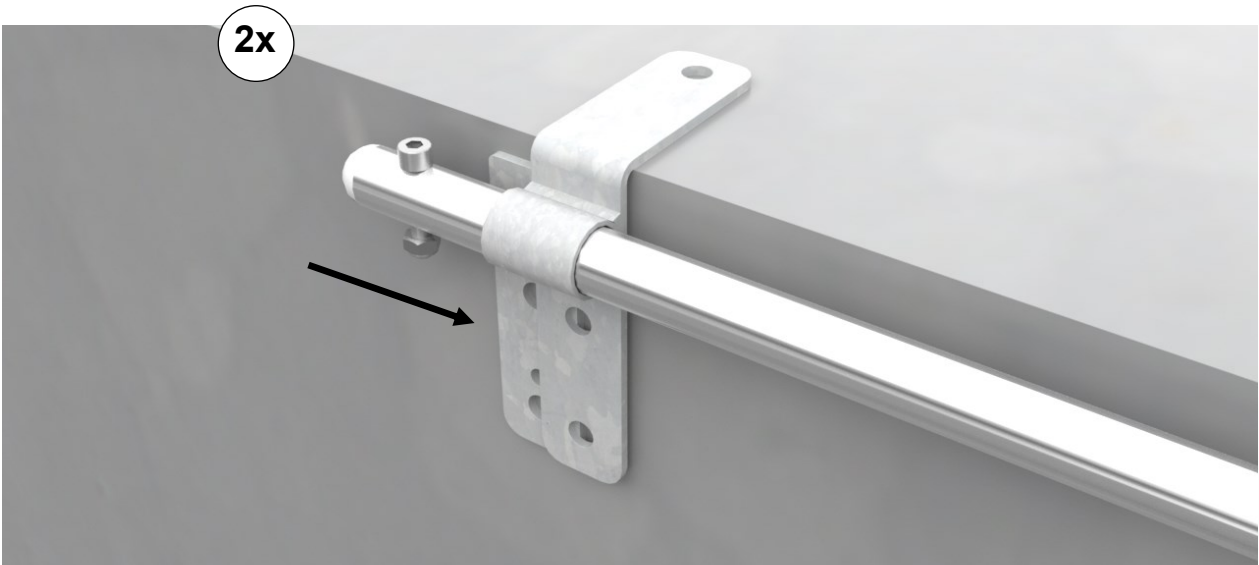
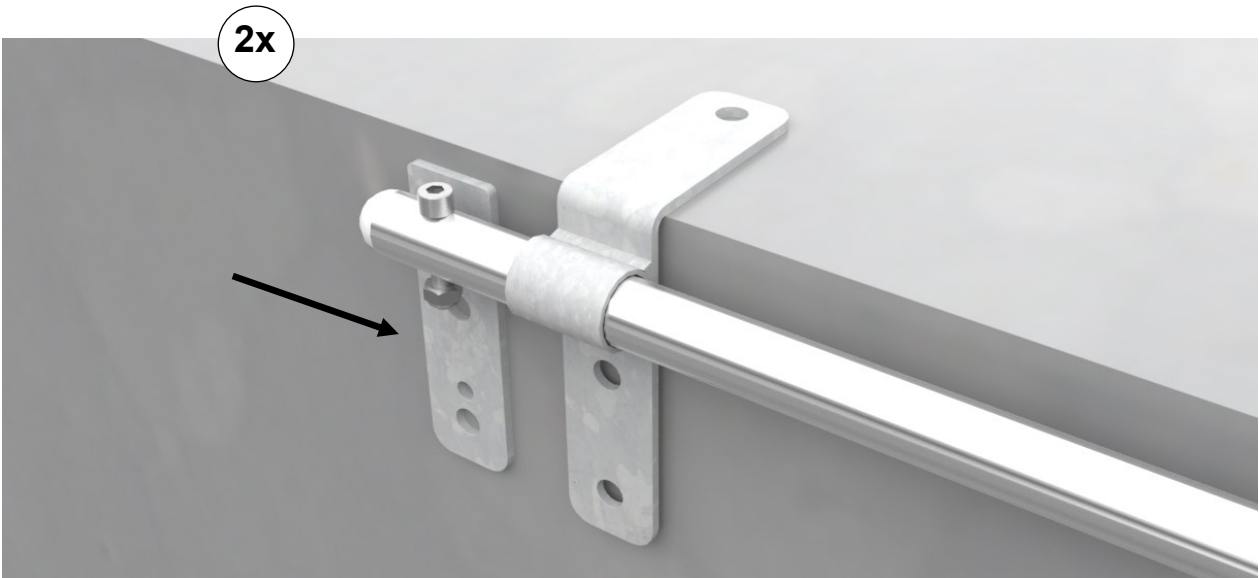
1



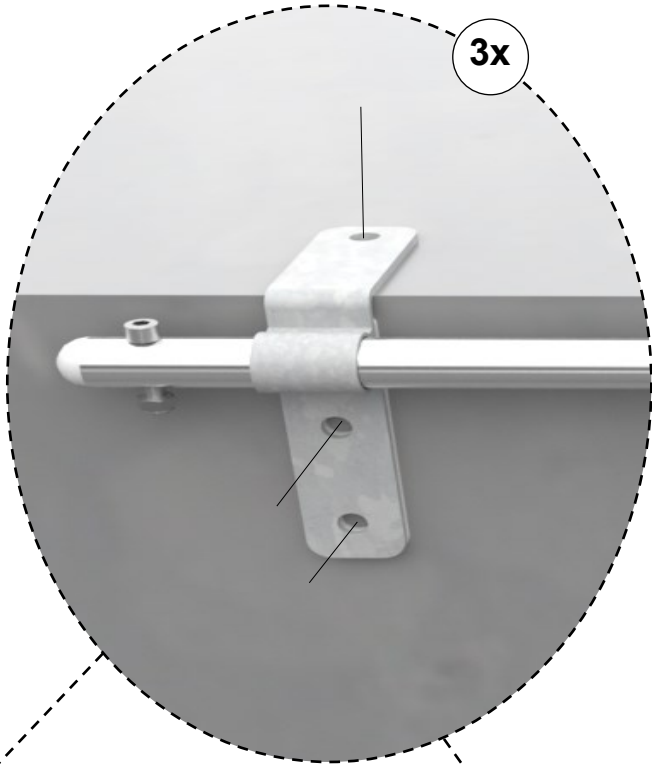
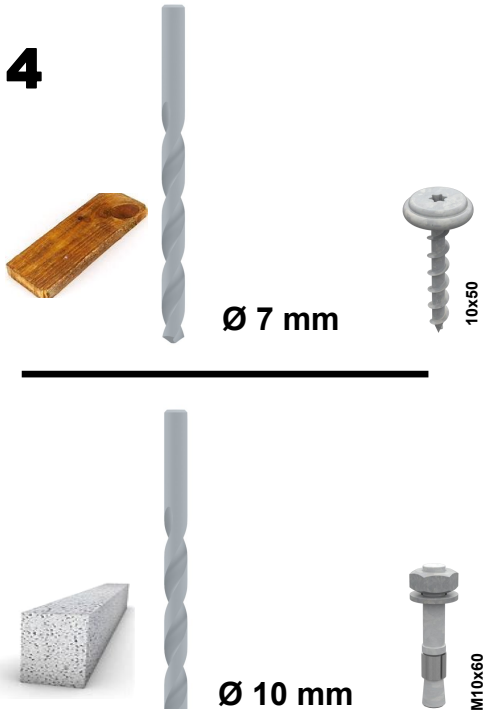
2



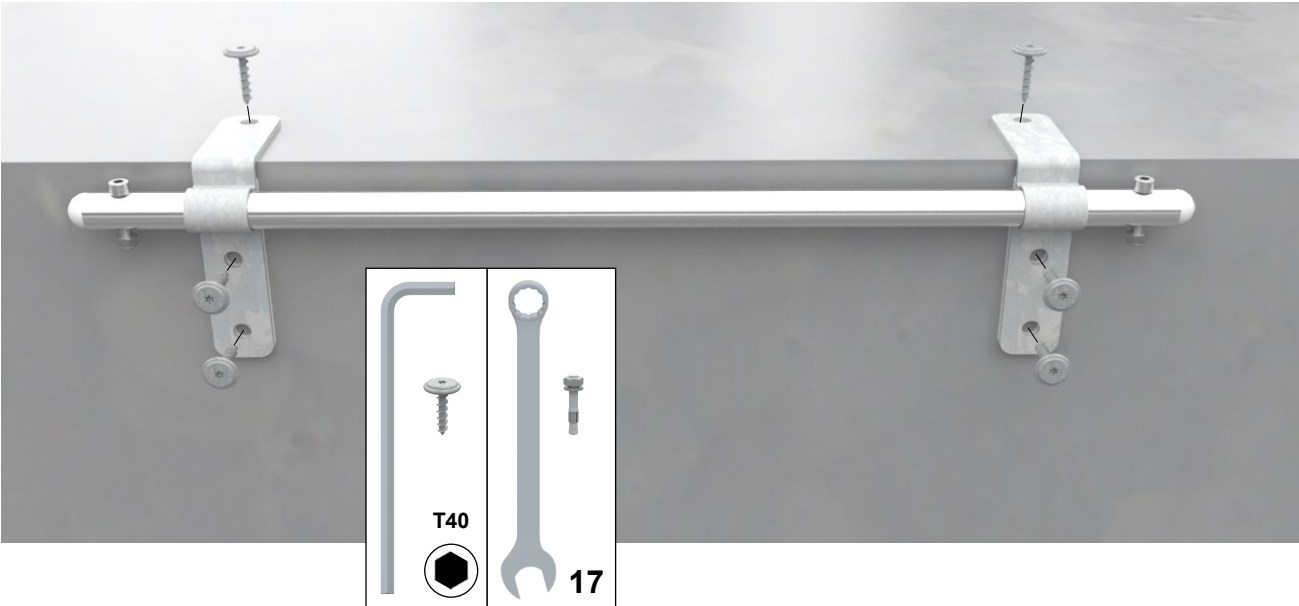
3



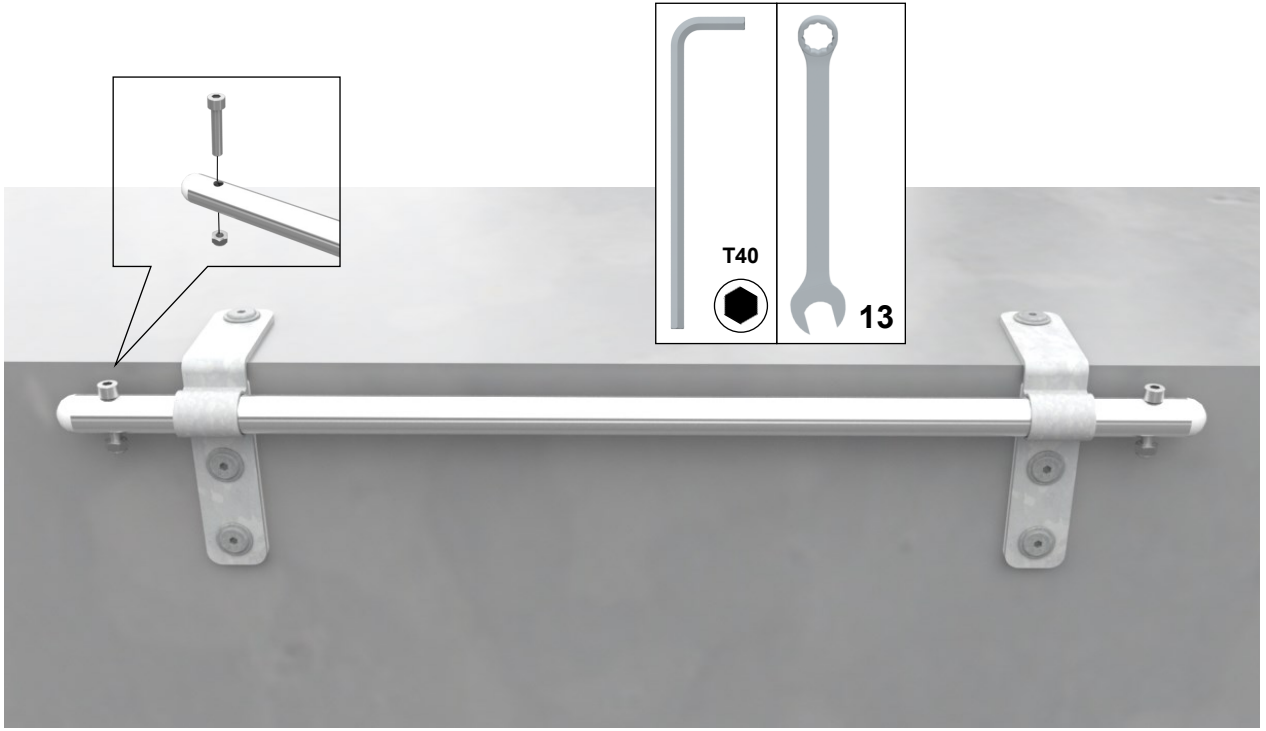
4



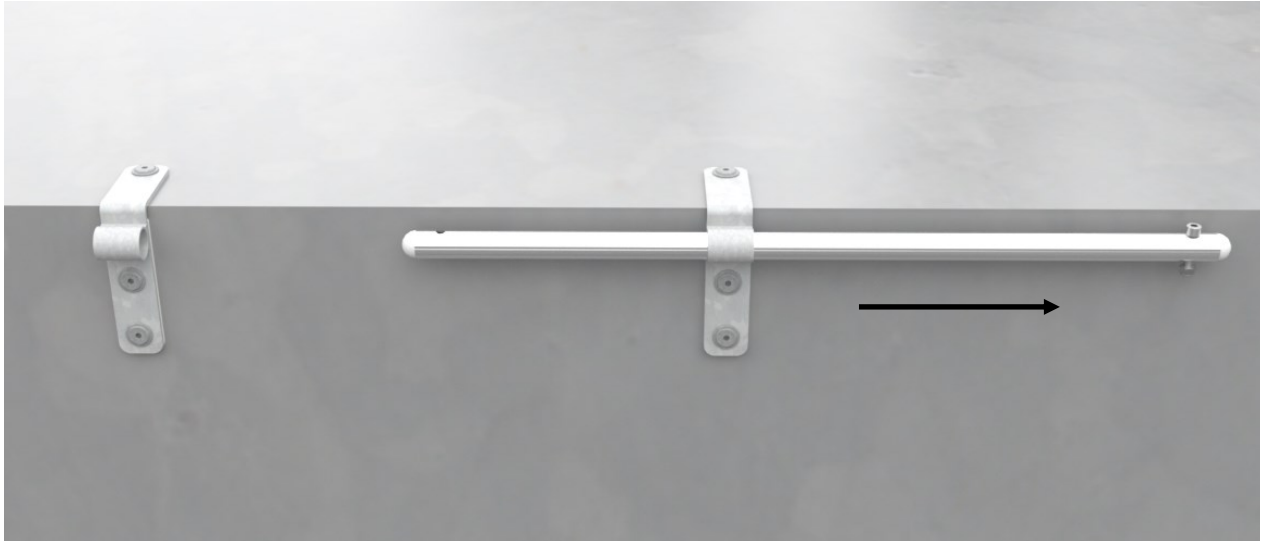
5



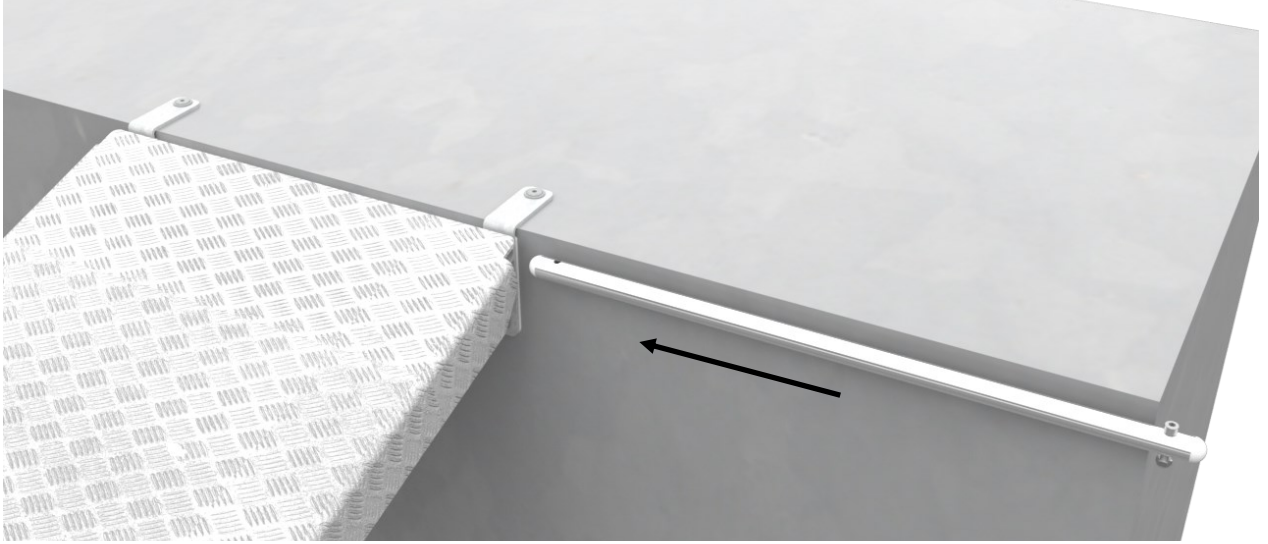
5



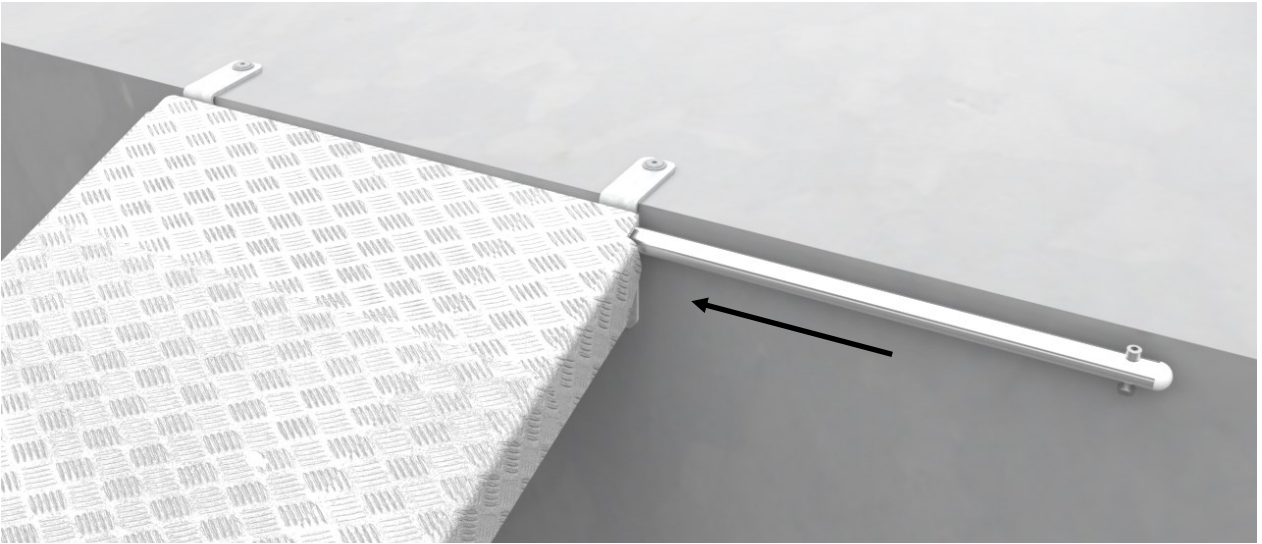
6



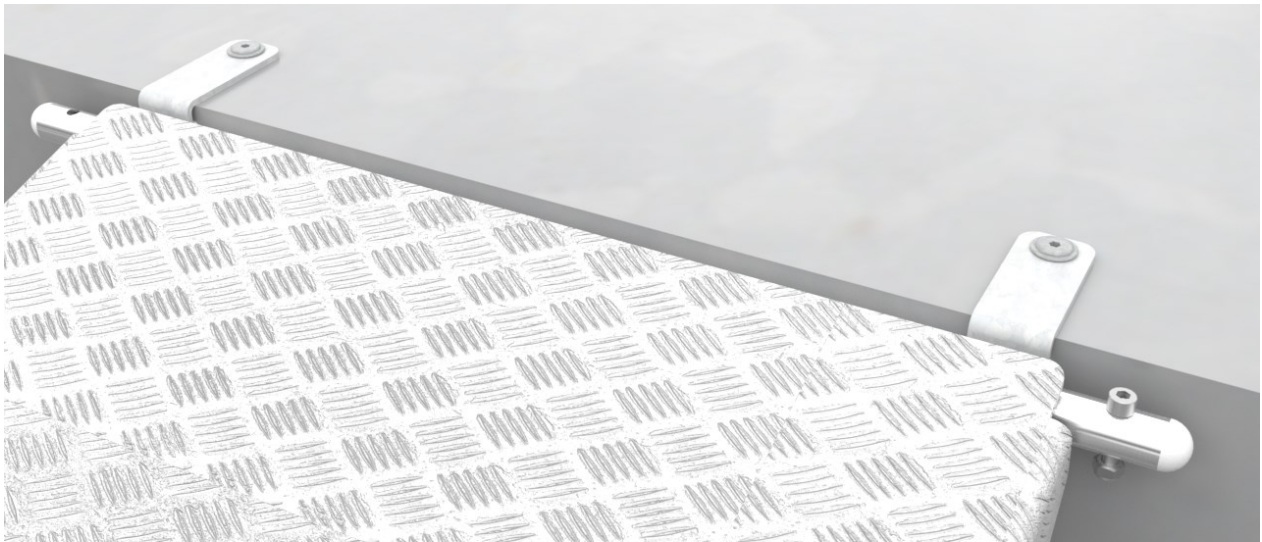
7



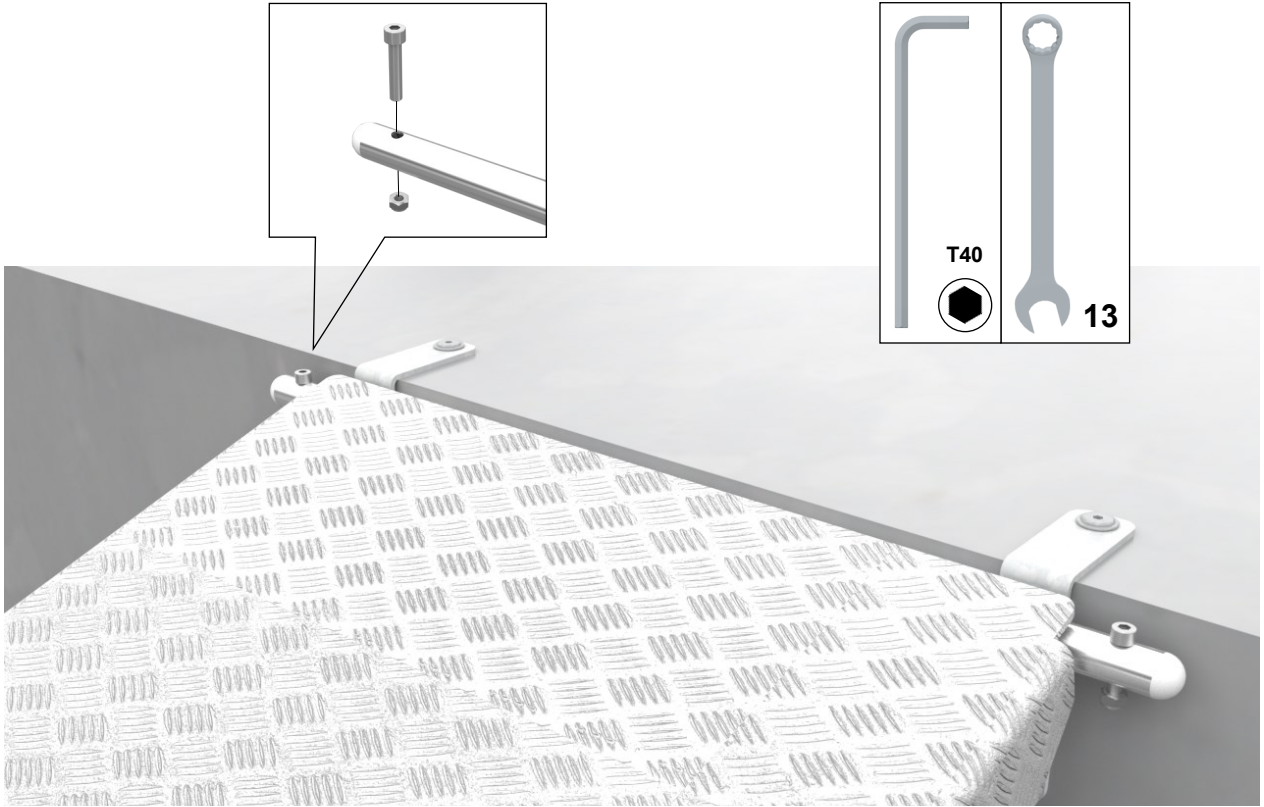
8



9



9



10

